

MX-ventilation products

Technical brochure



Material

- Weatherproof and impact resistant polypropylene
- UV protected
- Solid coloured



▶ Reliable and controlled ventilation

▶ Easy installation

1. Sewer ventilation pipe

4. Exhaust pipe

▶ High-quality and durable materials

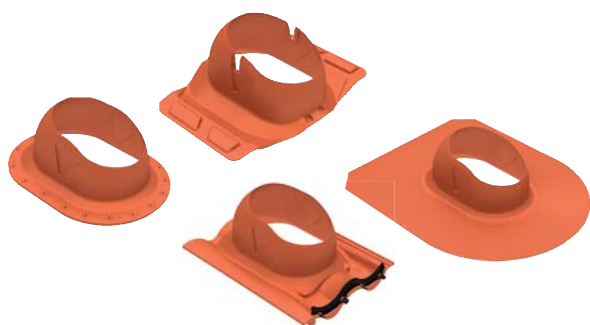
▶ Neat and elegant end result

2. Roof fan

5. Roof fan

3. Radon fan

6. Ventilation pole



MX-pass-throughs

- ✔ Tight and elegant pass-through
- ✔ Carefully designed shape prevents the accumulation of dirt and debris
- ✔ An excellent fit for the most common roof types
- ✔ Compatible with all Meltex roof fans, exhaust pipes and ventilation pipes

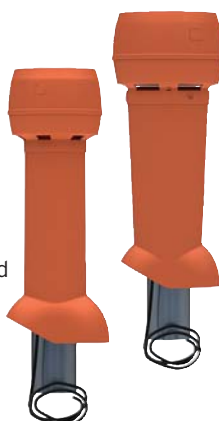


MX-exhaust and ventilation pipes

- ✔ Suitable for exhaust air diffusers in air conditioning systems and sewer ventilation
- ✔ Suitable products for 125 mm and 160 mm ventilation ducts and 110 mm sewer pipes
- ✔ Insulation in the products prevents freezing issues

MX-roof fans

- ✔ Controlled and efficient mechanical ventilation
- ✔ A suitable capacity class for every need
- ✔ A controlled radon exhaust system



MX-ventilation pole

- ✔ For ventilating the base floor in different types of buildings
- ✔ The structure prevents debris, snow and small animals from entering the base floor



BASIC COLOURS FOR ROOF PRODUCTS

- BLACK RR 33-RAL 9005
- GREY RR 23-RAL 7015
- BROWN RR 32
- RED RR 28/29-RAL 3009
- BRICK RED RR 750-RAL 8004

VENTILATION POLE BASIC COLOURS

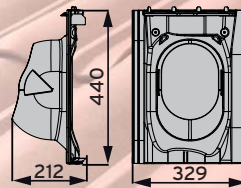
- LIGHT GREY RR 21-RAL 7040
- BLACK RR 33-RAL 9005
- GREY RR 23-RAL 7015

MX-pass-throughs

For steep roofs

MX-pass-through set for tile roof

Suitable for most double-wave roof tiles on the market. The effective width of the pass-through is the same as that of most of the roof tiles on the market. The adjustment discs allow for easy adjustment of the pass-through to suit various tiles. The seals in the pass-through plate are securely attached to the plate, but they can be removed, if necessary. The pass-through set for tile roof includes a pass-through plate, an underlay fastening, fastening screws and installation instructions.



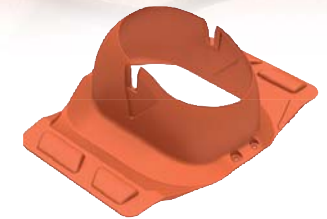
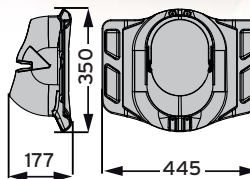
The ingenious adjustment discs make installation easier.

Colour and product number

● 7830000 ● 7830001 ● 7830002 ● 7830003 ● 7830004

MX-pass-through set for steel roof

Suitable for most tile-patterned steel roofs on the market. A rubber seal that conforms to the roof profile and waterproofs the pass-through is included in the delivery. The rubber seal can be attached to the pass-through plate quickly with two fastening straps. The pass-through set for steel roof includes a pass-through plate, a rubber seal, an underlay fastening, a stencil, fastening screws and installation instructions.



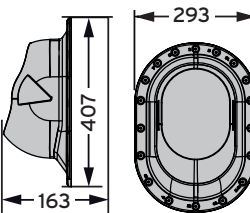
The two fastening straps make it possible to mount the rubber seal on the pass-through plate quickly.

Colour and product number

● 7830005 ● 7830006 ● 7830007 ● 7830008 ● 7830009

MX-pass-through set for standing seam roof

Suitable for flat, standing seam roofs. The pass-through plate is waterproof thanks to the rubber seal on the lower surface. The order of fastening the screws is marked on the pass-through plate to make installation easier. The pass-through set for standing seam roof includes a pass-through plate, an underlay fastening, a stencil, fastening screws and installation instructions.



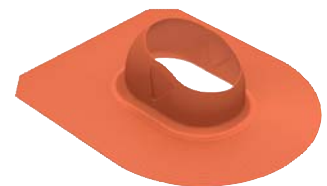
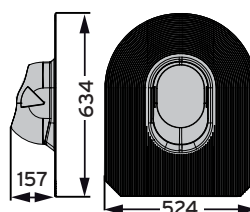
The pass-through plate shows clearly in which order the screws are fastened.

Colour and product number

● 7830010 ● 7830011 ● 7830012 ● 7830013 ● 7830014

MX-pass-through for felt roof

Suitable for all steep felt roofs. Thanks to the angular shape of the connecting surface, the pass-through and the rubberised bitumen form a waterproof connection to surface felt and underlays. A pass-through plate, a stencil and installation instructions are included in the delivery of the package.



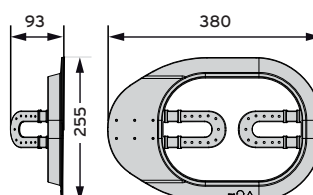
The angular shape of the connecting surface together with bitumen guarantees a strong connection with the felt.

Colour and product number

● 7830015 ● 7830016 ● 7830017 ● 7830018 ● 7830019

MX-fastening for underlay

The fastening for the underlay lifts the edges of the underlay up and connects to the roof battens, preventing water from entering the roof's insulation. The fastening for the underlay is included in the delivery of pass-through sets for tile, steel and standing seam roofs. The two fastening lugs make it possible to attach the fastening to the roof battens from the top, which makes installation faster and easier.



Thanks to fastening from the top, installation is easy.

Colour and product number

● 7830068

Roof angles

MAX °

MX-pass-through set for tile roof

MX-pass-through set for steel roof

MX-pass-through set for standing seam roof

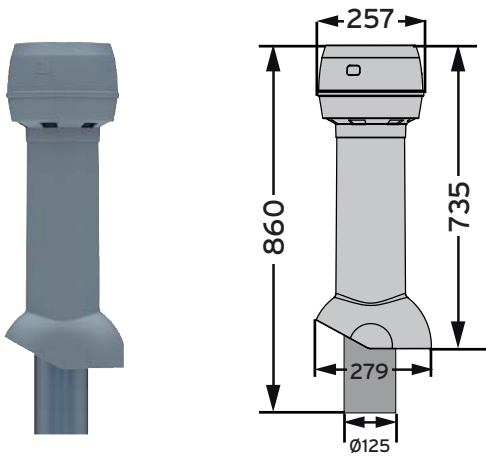
MX-pass-through for felt roof

∅	x	MAX °			
110	0 mm	36°	37°	31°	31°
	15 mm	43°	44°	38°	38°
125	0 mm	36°	37°	31°	31°
	15 mm	40°	41°	39°	39°
160	0 mm	33°	36°	34°	34°
	15 mm			35°	35°

∅	x, Y	MAX °			
160	15 mm		38°	38°	38°

MX-exhaust ventilation pipes

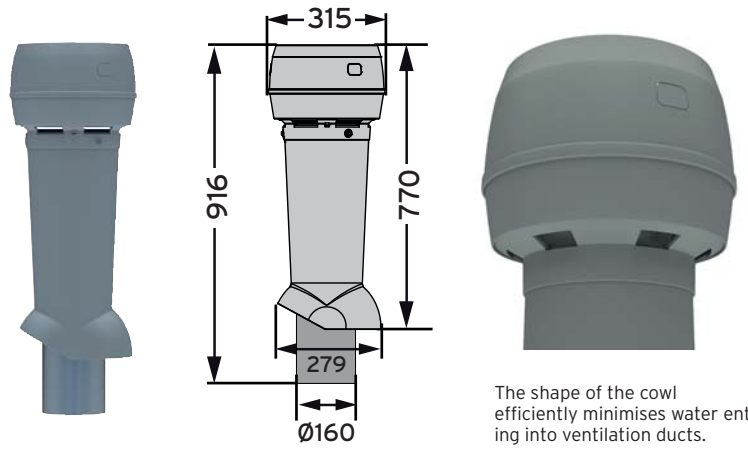
MX-exhaust ventilation pipe 125



MX-exhaust ventilation pipe 125, colour and product number

● 7830025 ● 7830026 ● 7830027 ● 7830028 ● 7830029

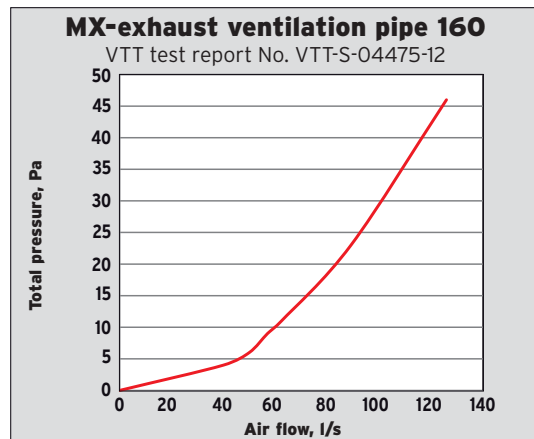
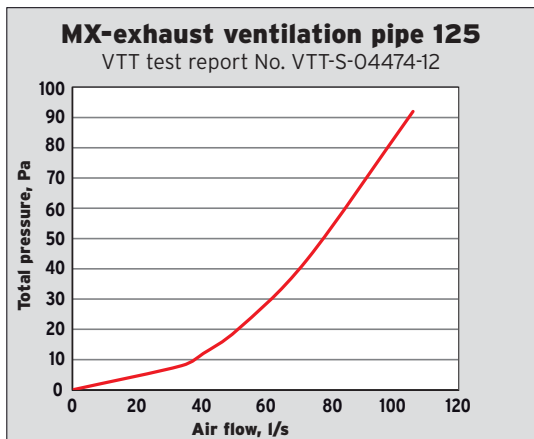
MX-exhaust ventilation pipe 160



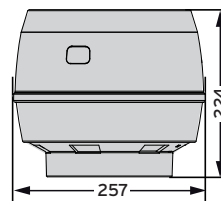
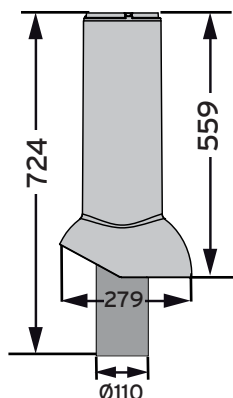
The shape of the cowl efficiently minimises water entering into ventilation ducts.

MX-exhaust ventilation pipe 160, colour and product number

● 7830030 ● 7830031 ● 7830032 ● 7830033 ● 7830034



**MX-ventilation pipe 110, insulated,
and cowl for the MX-ventilation pipe**



Equipped with a cowl, the MX-ventilation pipe is suitable for natural radon ventilation.

MX-ventilation pipe 110, colour and product number

- 7830020
- 7830021
- 7830022
- 7830023
- 7830024

Cowl for the MX-ventilation pipe, colour and product number

- 7830063
- 7830064
- 7830065
- 7830066
- 7830067

MX-roof fans

The MX-roof fans with a low pressure loss blow upward. The shape of the roof fans together with a tight pass-through efficiently prevents water from entering the ventilation ducts. There are no pass-throughs on the cover of the motor compartment, which makes the motor compartment more waterproof and protects the motor.

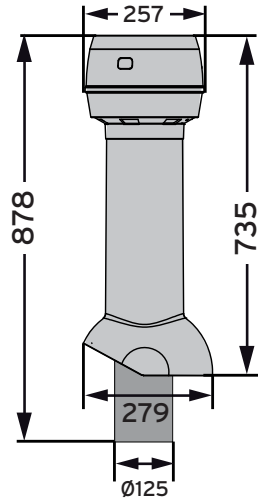
The MX-roof fans are easy to maintain. Checking and cleaning the blade wheel occasionally is enough to keep the roof fan in good shape. If necessary, the motor can be easily removed without any tools. The wires are fully enclosed inside the structure and the voltage is cut off automatically when the motor is removed. The inner pipe of the MX-roof fans is made of galvanised steel sheet. The inner pipe of the MX-radon fan is polypropylene; due to fire safety regulations, it cannot be used for residential ventilation. To prevent freezing, we recommend keeping the roof and radon fans on at all times, at least at a minimum speed. The rotation speed can be adjusted by changing the voltage with a thyristor or a step transformer.



The integrated power supply does not require any pass-throughs on the outer surface of the product, making it more waterproof.



MX-roof fan 70/125

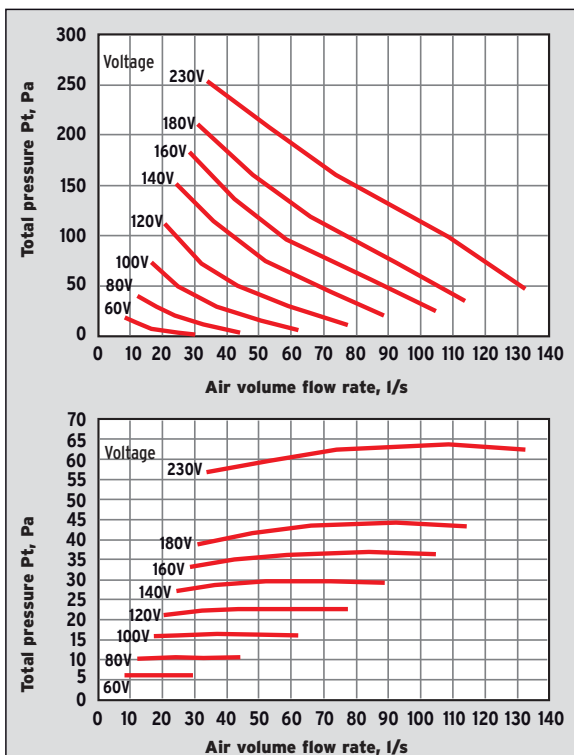


MX-roof fan 70/125, colour and product number

● 7830035 ● 7830036 ● 7830037 ● 7830038 ● 7830039

Flow rates and electric power

VTT test report No. VTT-S-06610-12



Noise levels

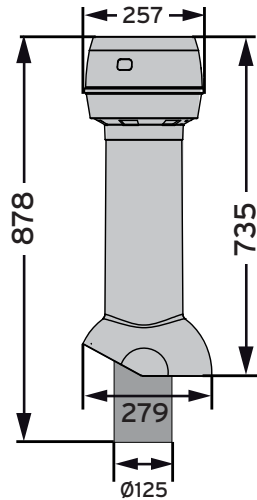
VTT test report No. VTT-S-06610-12

Quantity	Unit	1	2	3	4	5
U	V	100	100	100	100	100
qV	l/s	16,5	25,3	32,7	41,3	49,4
LW63	dB	56,8	52,5	52,4	52,8	52,4
LW125	dB	57,7	54,6	52,8	53,5	60,6
LW250	dB	53,0	48,5	47,1	49,1	49,7
LW500	dB	45,8	42,4	43,1	43,7	43,3
LW1000	dB	40,7	37,8	37,0	38,9	40,8
LW2000	dB	33,3	27,8	26,1	27,2	31,2
LW4000	dB	22,7	19,9	20,1	17,8	18,6
LW8000	dB	24,8	24,9	25,3	*	*
LW	dB	61,2	57,5	56,4	57,2	61,6
LWA	dB(A)	49,0	45,1	44,4	45,8	47,7

Quantity	Unit	1	2	3	4	5
U	V	140	140	140	140	140
qV	l/s	25,0	41,8	51,7	63,9	80,0
LW63	dB	63,7	56,1	56,0	57,6	58,0
LW125	dB	65,6	67,0	72,2	73,6	65,3
LW250	dB	67,2	63,0	62,0	63,8	65,2
LW500	dB	59,0	52,7	53,7	53,2	53,4
LW1000	dB	54,0	50,9	50,9	50,6	51,7
LW2000	dB	48,8	43,7	42,6	44,9	48,0
LW4000	dB	40,0	32,7	31,7	32,0	37,0
LW8000	dB	33,1	26,8	26,1	26,4	27,8
LW	dB	70,9	68,9	72,8	74,2	68,9
LWA	dB(A)	61,2	58,1	60,7	61,8	58,9

Quantity	Unit	1	2	3	4	5
U	V	180	180	180	180	180
qV	l/s	31,8	55,2	69,9	88,6	110
LW63	dB	59,6	58,2	58,0	57,8	60,5
LW125	dB	64,0	63,2	60,8	61,7	64,6
LW250	dB	78,4	75,4	71,8	72,2	78,4
LW500	dB	59,2	59,9	57,9	57,7	60,4
LW1000	dB	59,2	62,5	63,6	56,4	57,5
LW2000	dB	52,4	52,2	50,8	52,6	54,4
LW4000	dB	43,5	43,1	42,5	44,2	47,5
LW8000	dB	38,1	37,5	36,6	36,4	38,3
LW	dB	78,8	76,1	73,0	73,0	78,8
LWA	dB(A)	70,3	68,3	66,2	64,6	70,2

MX-roof fan 120/125

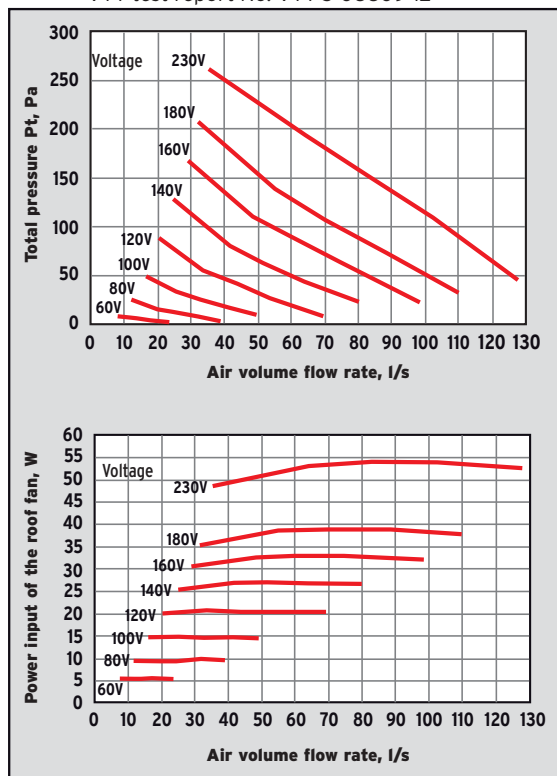


MX-roof fan 120/125, colour and product number

● 7830040 ● 7830041 ● 7830042 ● 7830043 ● 7830044

Flow rates and electric power

VTT test report No. VTT-S-06609-12



Noise levels

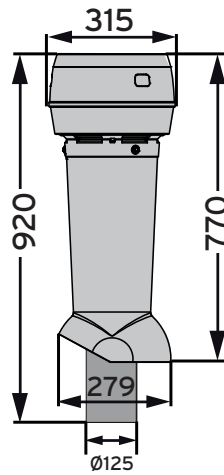
VTT test report No. VTT-S-06609-12

Quantity	Unit	1	2	3	4	5
U	V	100	100	100	100	100
qV	l/s	16,7	24,9	36,9	50,6	62,3
LW63	dB	70,2	63,7	58,0	59,5	59,2
LW125	dB	73,9	61,5	62,3	59,0	59,5
LW250	dB	60,2	57,0	57,1	53,1	54,3
LW500	dB	51,7	49,3	47,8	48,0	50,3
LW1000	dB	46,2	43,0	40,8	42,4	45,2
LW2000	dB	39,5	35,6	31,5	32,8	37,9
LW4000	dB	29,9	25,6	21,7	21,6	23,9
LW8000	dB	22,7	*	*	*	*
LW	dB	75,6	66,4	64,6	62,9	63,3
LWA	dB(A)	61,4	52,7	52,1	50,3	52,1

Quantity	Unit	1	2	3	4	5
U	V	140	140	140	140	140
qV	l/s	24,4	35,9	52,0	72,2	88,7
LW63	dB	73,1	74,1	68,7	61,8	63,6
LW125	dB	74,1	71,0	67,0	68,4	66,5
LW250	dB	76,7	69,0	70,2	68,2	68,1
LW500	dB	62,0	59,8	57,5	57,0	57,5
LW1000	dB	57,6	56,6	56,4	55,1	57,2
LW2000	dB	52,0	49,6	47,8	49,9	51,9
LW4000	dB	42,7	39,9	36,1	35,6	38,9
LW8000	dB	31,7	28,7	25,5	24,8	27,0
LW	dB	79,8	76,8	73,8	72,0	71,6
LWA	dB(A)	69,0	63,5	62,7	62,0	62,5

Quantity	Unit	1	2	3	4	5
U	V	180	180	180	180	180
qV	l/s	30,8	48,1	66,1	92,3	114
LW63	dB	81,2	77,4	70,0	64,6	64,1
LW125	dB	77,6	75,7	73,6	70,0	72,0
LW250	dB	75,0	79,1	81,2	76,1	79,8
LW500	dB	65,2	64,4	63,0	62,3	62,3
LW1000	dB	61,4	62,6	61,8	61,9	62,7
LW2000	dB	56,6	55,5	55,2	55,3	57,1
LW4000	dB	47,7	46,0	44,6	45,9	49,7
LW8000	dB	37,6	35,3	33,2	32,6	35,0
LW	dB	83,6	82,5	82,3	77,6	80,7
LWA	dB(A)	70,1	72,1	73,2	69,1	72,2

MX-roof fan 120E/125, silenced

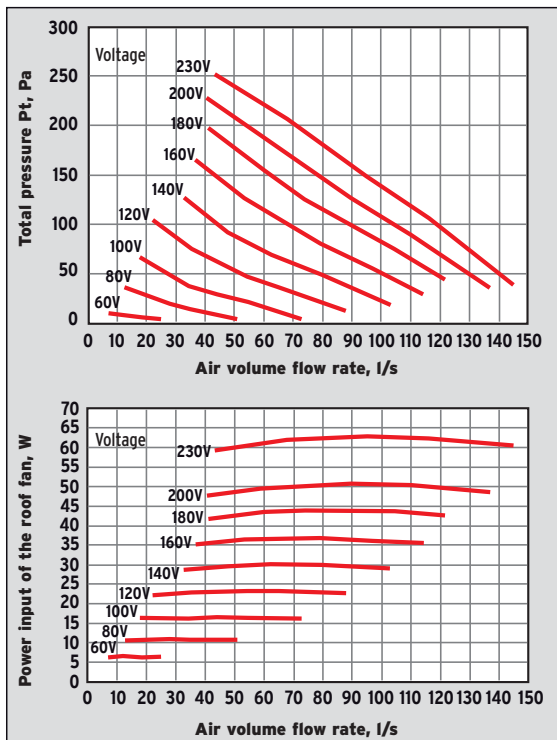


MX-roof fan 120E/125, colour and product number

● 7830045 ● 7830046 ● 7830047 ● 7830048 ● 7830049

Flow rates and electric power

VTT test report No. VTT-S-06661-12



Noise levels

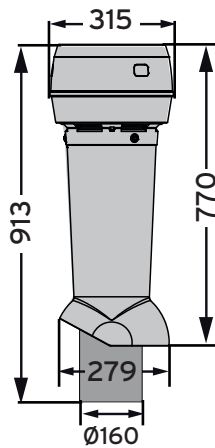
VTT test report No. VTT-S-06661-12

Quantity	Unit	1	2	3	4	5
U	V	100	100	100	100	100
qV	l/s	17,8	34,6	44,1	54,6	72,8
LW63	dB	63,4	59,3	51,4	52,2	54,4
LW125	dB	55,9	55,0	49,3	51,4	55,0
LW250	dB	47,8	46,4	44,8	45,2	48,4
LW500	dB	38,4	41,2	31,4	32,4	36,5
LW1000	dB	25,2	25,8	19,2	20,9	27,0
LW2000	dB	10,4	12,9	*	*	15,9
LW4000	dB	*	*	*	*	*
LW8000	dB	*	*	*	*	*
LW	dB	64,2	60,9	54,1	55,3	58,2
LWA	dB(A)	44,3	43,9	37,9	39,1	42,7

Quantity	Unit	1	2	3	4	5
U	V	140	140	140	140	140
qV	l/s	32,6	47,8	62,4	79,7	103
LW63	dB	67,0	62,0	60,0	59,2	58,1
LW125	dB	63,9	58,2	58,1	59,2	62,9
LW250	dB	63,2	56,4	56,3	56,0	59,5
LW500	dB	42,1	39,9	41,2	42,4	45,7
LW1000	dB	32,7	36,9	37,5	33,1	38,5
LW2000	dB	18,1	18,0	18,3	22,5	31,0
LW4000	dB	*	*	11,6	19,8	23,0
LW8000	dB	*	*	*	*	17,1
LW	dB	69,8	64,3	63,2	63,2	65,5
LWA	dB(A)	54,0	48,4	48,5	48,6	52,2

Quantity	Unit	1	2	3	4	5
U	V	180	180	180	180	180
qV	l/s	40,9	60,0	73,8	104	122
LW63	dB	68,8	63,1	61,6	61,1	61,5
LW125	dB	71,7	65,8	63,8	65,2	66,1
LW250	dB	63,4	60,2	60,6	61,7	63,2
LW500	dB	46,4	45,6	46,6	48,3	50,0
LW1000	dB	35,8	36,6	46,7	44,6	43,6
LW2000	dB	24,4	23,6	24,3	32,0	37,0
LW4000	dB	22,4	21,1	21,3	26,1	30,5
LW8000	dB	21,5	17,4	17,5	22,5	25,8
LW	dB	73,9	68,4	67,1	67,9	68,9
LWA	dB(A)	57,7	53,3	54,1	54,9	56,1

MX-roof fan 180E/160, silenced



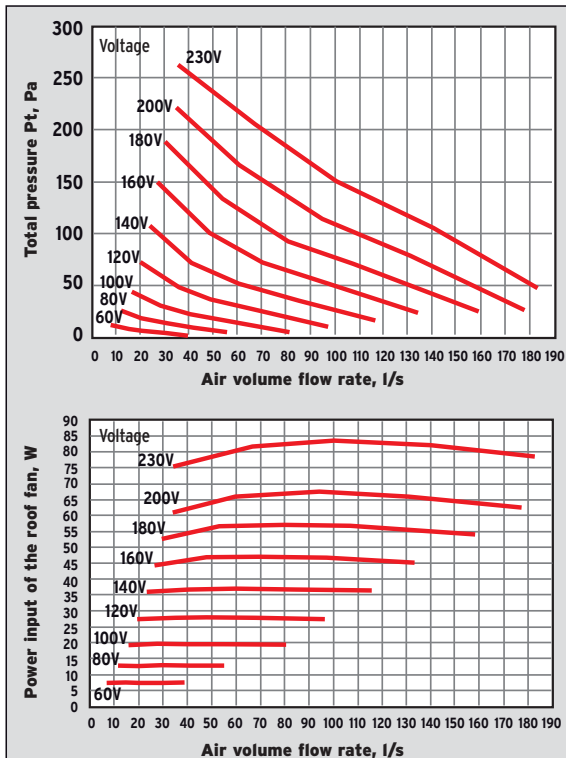
Silencer in the body

MX-roof fan 180E/160, colour and product number

● 7830050 ● 7830051 ● 7830052 ● 7830053 ● 7830054

Flow rates and electric power

VTT test report No. VTT-S-06664-12



Noise levels

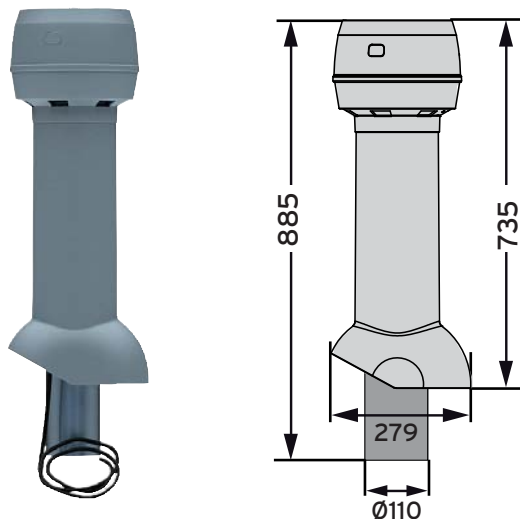
VTT test report No. VTT-S-06664-12

Quantity	Unit	1	2	3	4	5
U	V	100	100	100	100	100
qV	l/s	15,9	27,7	40,0	55,2	80,6
LW63	dB	59,6	53,0	51,5	49,3	52,6
LW125	dB	59,3	55,3	51,6	50,9	52,8
LW250	dB	50,6	44,7	43,1	44,1	48,2
LW500	dB	38,5	32,7	32,9	33,9	38,1
LW1000	dB	28,1	23,3	23,7	24,1	28,6
LW2000	dB	10,0	*	*	*	11,7
LW4000	dB	*	*	*	*	*
LW8000	dB	*	*	*	*	*
LW	dB	62,8	57,6	54,9	53,8	56,5
LWA	dB(A)	46,3	41,2	39,0	39,0	42,6

Quantity	Unit	1	2	3	4	5
U	V	140	140	140	140	140
qV	l/s	23,2	40,6	59,6	84,7	116
LW63	dB	67,8	62,5	52,6	52,6	56,5
LW125	dB	67,1	59,9	52,3	52,6	55,8
LW250	dB	63,6	56,4	51,0	51,9	58,1
LW500	dB	49,4	43,4	41,5	42,9	46,6
LW1000	dB	38,1	31,8	30,0	31,8	36,7
LW2000	dB	18,0	11,7	10,5	15,4	26,3
LW4000	dB	21,0	15,6	*	*	20,9
LW8000	dB	19,0	*	*	*	*
LW	dB	71,3	65,1	56,9	57,3	61,8
LWA	dB(A)	57,0	49,8	44,5	45,5	50,9

Quantity	Unit	1	2	3	4	5
U	V	180	180	180	180	180
qV	l/s	29,5	53,2	80,2	107	158
LW63	dB	72,1	66,0	58,8	57,5	62,1
LW125	dB	73,3	66,1	58,1	58,4	61,3
LW250	dB	70,2	65,1	57,1	57,6	61,9
LW500	dB	56,9	51,2	48,5	49,8	53,5
LW1000	dB	45,7	40,9	37,9	38,7	45,1
LW2000	dB	24,8	20,6	18,5	23,9	37,0
LW4000	dB	28,4	23,5	21,0	22,5	34,8
LW8000	dB	27,7	22,6	19,0	21,6	26,7
LW	dB	76,9	70,6	63,0	62,8	66,8
LWA	dB(A)	63,4	58,2	51,1	51,9	56,4

MX-radon fan 110

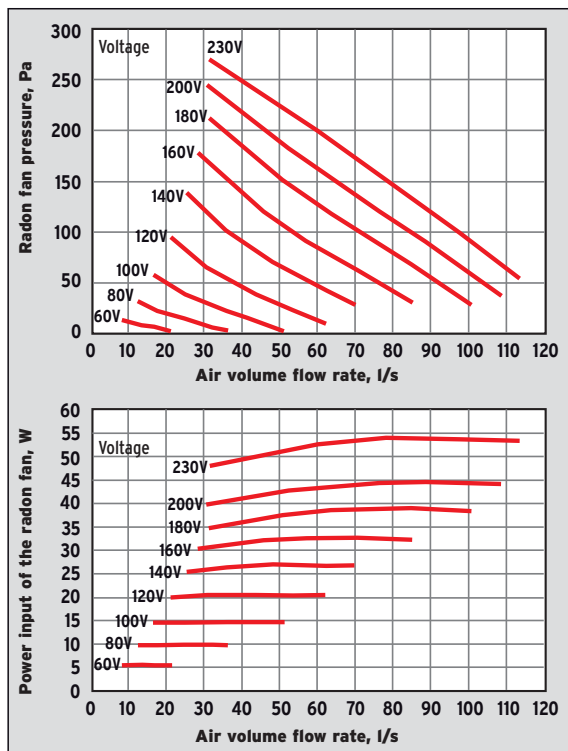


Colour and product number

- 7830055
- 7830056
- 7830057
- 7830058
- 7830059

Flow rates and electric power

VTT test report No. VTT-S-06601-12



Noise levels

VTT test report No. VTT-S-06601-12

Quantity	Unit	1	2	3	4	5
U	V	80	80	80	80	80
qV	l/s	12,5	17,8	24,8	32,3	36,4
LW63	dB	51,8	51,3	50,2	54,4	48,5
LW125	dB	56,5	55,6	53,0	53,6	53,3
LW250	dB	48,2	44,5	44,8	47,1	47,5
LW500	dB	44,4	43,8	43,2	43,1	42,9
LW1000	dB	40,9	39,4	40,6	41,4	41,7
LW2000	dB	25,2	21,6	21,0	21,0	21,1
LW4000	dB	19,8	20,2	25,3	25,2	23,7
LW8000	dB	18,1	16,6	*	*	*
LW	dB	58,5	57,5	55,7	57,7	55,7
LWA	dB(A)	46,4	45,2	45,2	46,0	45,9

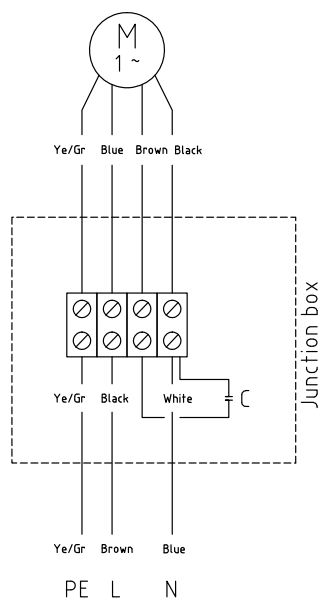
Quantity	Unit	1	2	3	4	5
U	V	120	120	120	120	120
qV	l/s	21,1	30,8	43,9	53,7	62,1
LW63	dB	56,3	53,9	51,5	54,0	55,1
LW125	dB	72,2	61,0	63,7	68,3	69,0
LW250	dB	67,5	55,1	54,8	55,9	57,5
LW500	dB	54,7	50,8	52,7	53,2	53,1
LW1000	dB	52,2	50,1	50,7	50,6	51,9
LW2000	dB	44,1	39,2	37,9	39,1	41,3
LW4000	dB	32,8	27,7	25,9	26,8	29,7
LW8000	dB	18,9	21,5	20,1	20,3	22,5
LW	dB	73,7	63,1	64,9	68,9	69,6
LWA	dB(A)	62,1	54,3	55,5	57,6	58,4

Quantity	Unit	1	2	3	4	5
U	V	160	160	160	160	160
qV	l/s	28,5	45,8	57,0	70,7	85,2
LW63	dB	59,8	55,9	55,3	55,6	57,1
LW125	dB	66,8	62,1	61,9	62,8	63,6
LW250	dB	73,7	67,9	68,9	72,1	76,2
LW500	dB	60,4	57,6	57,4	57,9	59,0
LW1000	dB	59,0	68,1	63,8	58,8	59,4
LW2000	dB	52,7	51,7	48,5	50,1	52,8
LW4000	dB	43,7	39,1	38,2	39,0	41,9
LW8000	dB	32,9	28,5	27,2	26,9	27,9
LW	dB	75,0	71,8	71,0	73,0	76,6
LWA	dB(A)	66,9	68,5	65,2	64,3	67,1

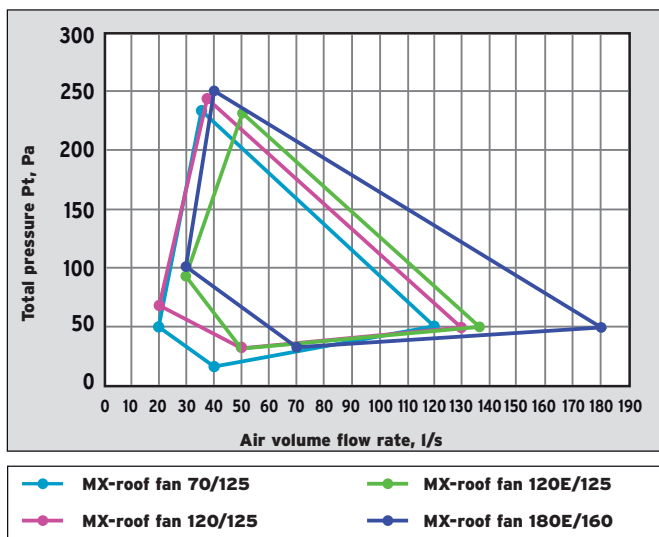
Electrical and technical specifications

	Power, W	Voltage, V	Rated current, A	Capacitor, uF	Speed of rotation, rpm	Speed control
MX-roof fan 70	52	230/50 Hz	0,23	1,5	2350	Thyristor or step transformer
MX-roof fan 120	58	230/50 Hz	0,26	2	2500	
MX-roof fan 120E	58	230/50 Hz	0,26	2	2500	
MX-roof fan 180E	85	230/50 Hz	0,38	3	2500	
MX-radon fan 110	52	230/50 Hz	0,23	1,5	2600	

Circuit diagram



Quick selection of MX-roof fans

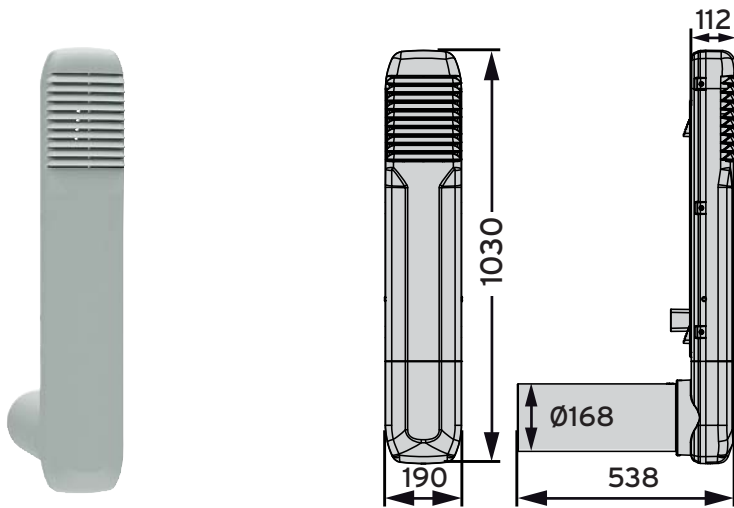


Quick selection of MX-roof fans for residential ventilation

Dwelling area, m ²	Air change rate, (m ³ /h)/m ³	Air flow, l/s	MX-roof fan
< 50	0,7	20	MX 70/125
80	0,5	30	MX 70/125, MX 120/125
120	0,5	45	MX 120/125, MX 120E/125
160	0,5	60	MX 120/125, MX 120E/125, MX 180E/160
> 200	0,5	80	MX 180E/160



MX-ventilation pole 160



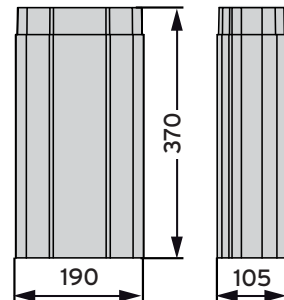
The add-on for the MX-ventilation pole is an accessory. The add-on raises the ventilation pole by 330 mm, and several add-ons can be connected to gain greater heights.

MX-ventilation pole 160, colour and product number

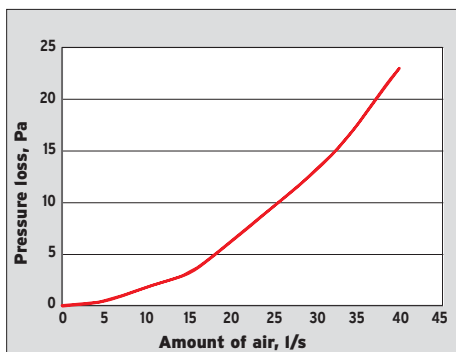
● 7830060 ● 7830061 ● 7830062

MX-ventilation pole add-on 330 mm, colour and product number

● 7830071 ● 7830069 ● 7830070



MX-ventilation pole 160



Quick selection of MX-ventilation pole

Area, m ²	Pcs, side of the building	Pcs, total
80	3	6
120	4	8
160	5	10
200	6	12

The calculation is only indicative. In addition, the shape of the building and other structural features that have an effect on the air flow must be taken into account.



MELTEX OY
PLASTICS

Meltex Oy Plastics
Taivaltie 2
FI-01610 Vantaa
Finland
Tel. +358 20 777 0007
Email sales@meltex.fi
www.meltex.fi